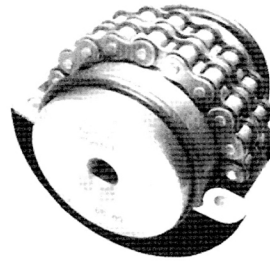
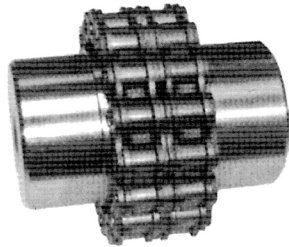


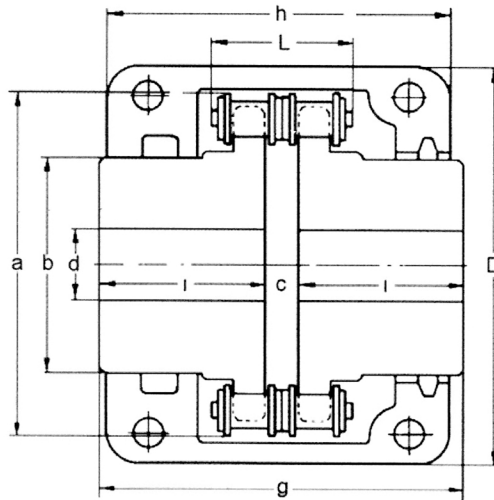
Chain Coupling



Type Designation

CR 4016

- No. of Sprocket Teeth
- Roller Chain Size
- Chain Coupling



Coupling No.	Bore dia. (d)		Dimensions								Weight (kg)	
	Stock	Max	a	b	c	D	h	L	g	i	Coupling	Cover
CR4012	10	22	61	35	7.4	75	75	32.1	79.4	36	0.8	0.3
CR4014	10	28	69	43	7.4	84	75	32.1	79.4	36	1.2	0.4
CR4016	14	30	77	50	7.4	92	75	32.1	79.4	36	1.4	0.4
CR5014	14	35	86	53	9.7	102	85	39.8	99.7	45	2.2	0.6
CR5016	14	40	96	60	9.7	111	85	39.8	99.7	45	2.6	0.6
CR5018	14	45	106	70	9.7	122	85	39.8	99.7	45	3.5	0.8
CR6018	18	55	128	85	11.5	142	106	49.6	119.5	54	6.0	1.2
CR6022	18	75	152	110	11.5	167	106	49.6	119.5	54	9.5	1.6
CR8018	23	80	160	115	15.2	186	130	67.2	149.2	67	14.0	2.3
CR8022	23	100	203	140	15.2	220	130	67.2	149.2	67	20.0	2.4
CR10020	33	110	233	160	18.8	250	148	81.4	178.8	80	32.5	3.8
CR12018	43	125	255	170	22.7	307	181	102.3	202.7	90	43.5	6.5